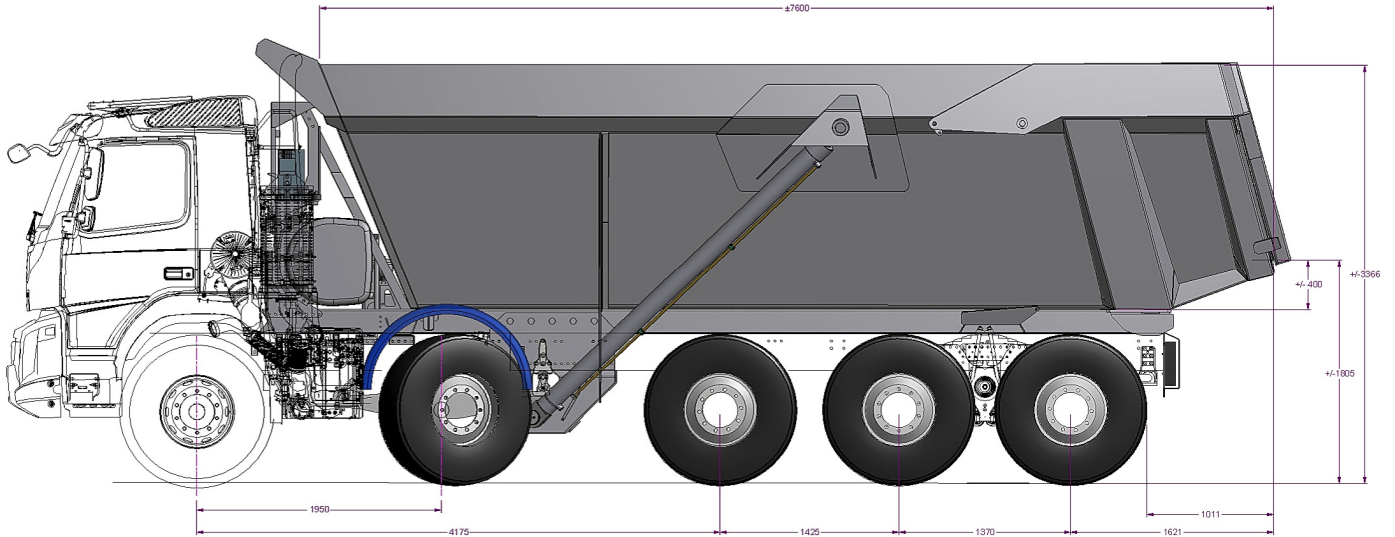


FACTSHEET - TIPPER



TIPPER

With a total capacity of 18- 40 m³, this tipper is unique. By applying 10mm Hardox 500 steel wear plates and extra 'death bed liner plates' on the bottom, even the hardest rock results in a significantly less wear during the many dump operations. The side walls are made out of 8mm Hardox 450 steel. The tipper has a special shape, so it already empties during dumping, thereby emptying as quick as possible.

SPECIFICATIONS

Total capacity	30 m ³
Pump	130L/min
Max. pressure	300 Bar
Force of 2 cylinders at 300 Bar	80 tonnes
Tip time upwards at 1000 tr/min	26 sec
Tip time downwards at 800 tr/min	14 sec
Total weight tipper	6.200 kg
Total weight construction	9.500 kg

