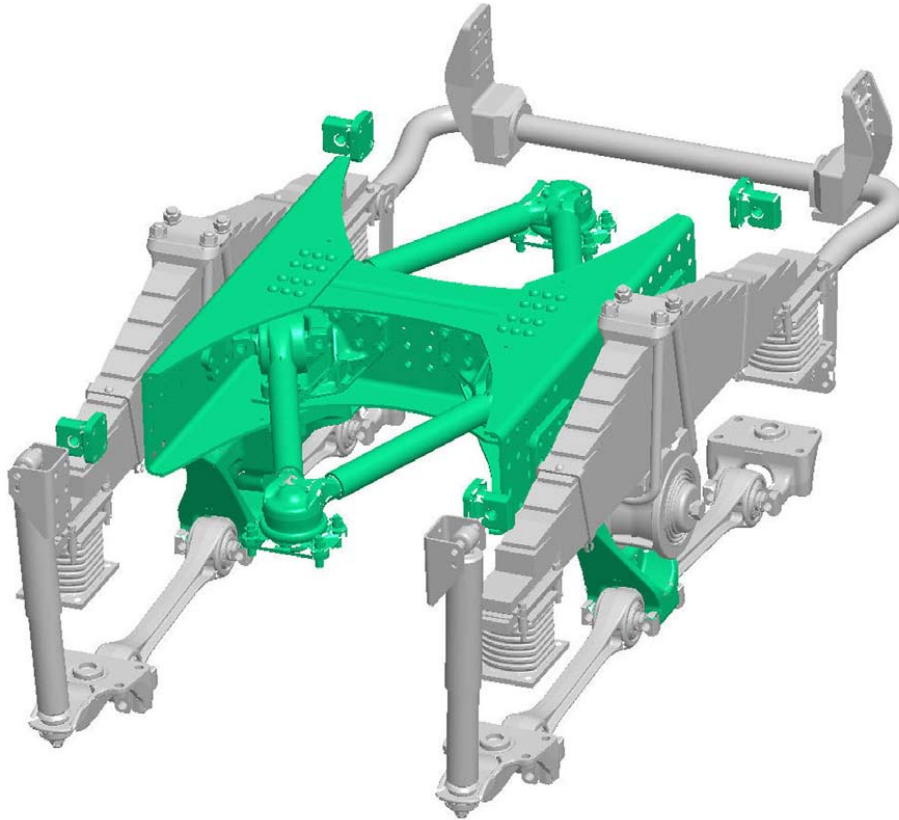


FACTSHEET - REAR SUSPENSION APPLICATION RSAP2



REINFORCED T-RIDE BOGIE (RADD-TR2, RAL32)

RSAP2 is a reinforced bogie to better withstand high loads under tough conditions.

The bogie components reinforcement include:

- new crossmember
- new brackets on both sides of the crossmember
- new bump stops
- new bogie anchorages
- new v-stays (with new brackets)

For more bogie information, see fact sheet for rear axle installation RADD-TR2.

FEATURES AND BENEFITS

- More robust installation for improved durability during tough conditions.