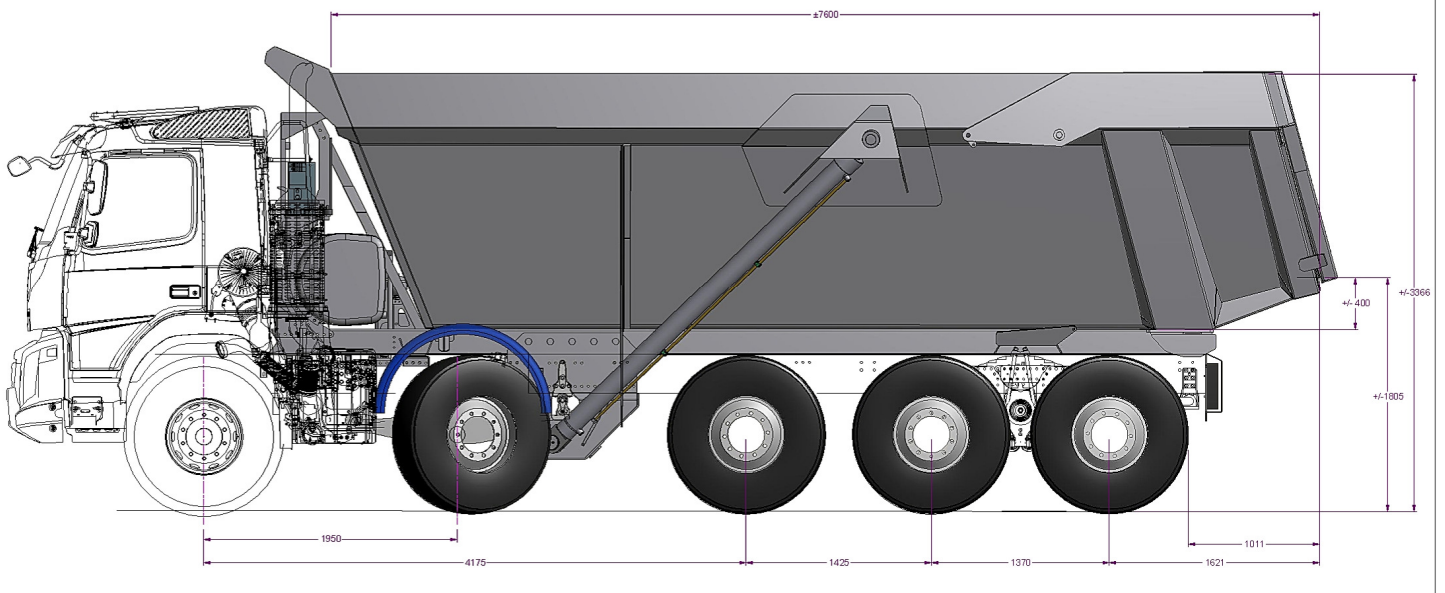


# FACTSHEET - TIPPER



## AJK Tipper

With a total capacity of 30 m<sup>3</sup>, this tipper is unique. By applying 10mm Hardox 500 steel wear plates and extra 'death bed liner plates' on the bottom, even the hardest rock results in a significantly less wear during the many dump operations. The side walls are made out of 8mm Hardox 450 steel.

The tipper has a special shape, so it already empties during dumping, thereby emptying as quick as possible.

### SPECIFICATIONS

Total capacity .....	30 m <sup>3</sup>
Pump .....	130L/min
Max. pressure .....	300 Bar
Force of 2 cylinders at 300 Bar .....	80 tonnes
Tip time upwards at 1000 tr/min .....	26 seconds
Tip time downwards at 800 tr/min .....	14 seconds
Total weight tipper .....	6.200 kg
Total weight construction .....	9.500 kg

