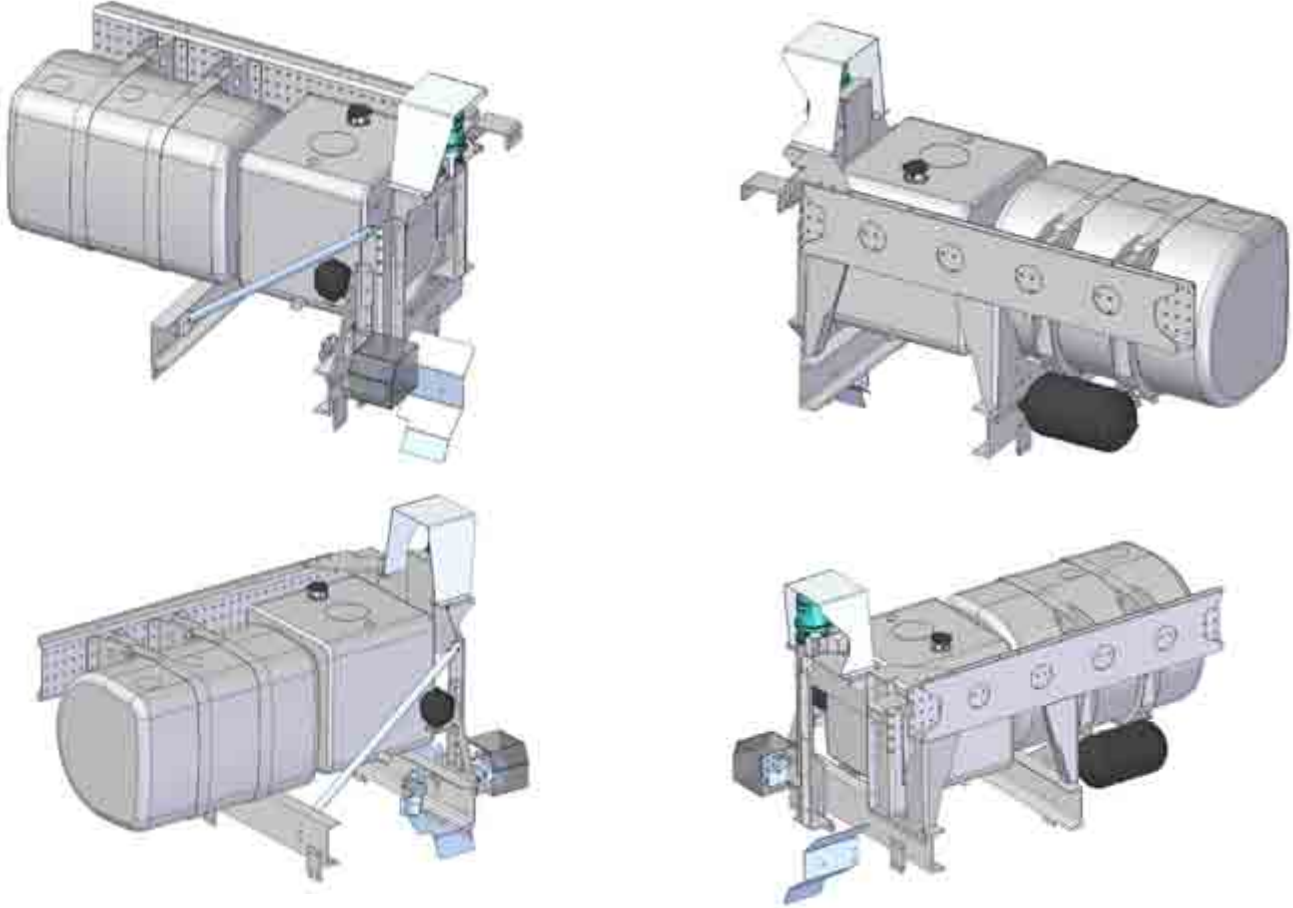


FACTSHEET - COMPONENT FRAME



Component Frame

The frame has 3 functions:

1. Protect the vehicle fuel tank, battery box, air tanks and hydraulic tank for damages
2. Mounting bracket for gearbox cooler, steering gear cooler, tipper hydraulics and central lubrication system
3. Optimizes the tipper mounting in respect to the weight distribution and creating space for the tilting cylinders

SPECIFICATIONS

Steel10.00 mm I S420MC
Anti corrosion treatments Galvanized

FEATURES AND BENEFITS

- All mayor chassis parts are protected
- Ideal weight distribution
- Enables tipper optimization